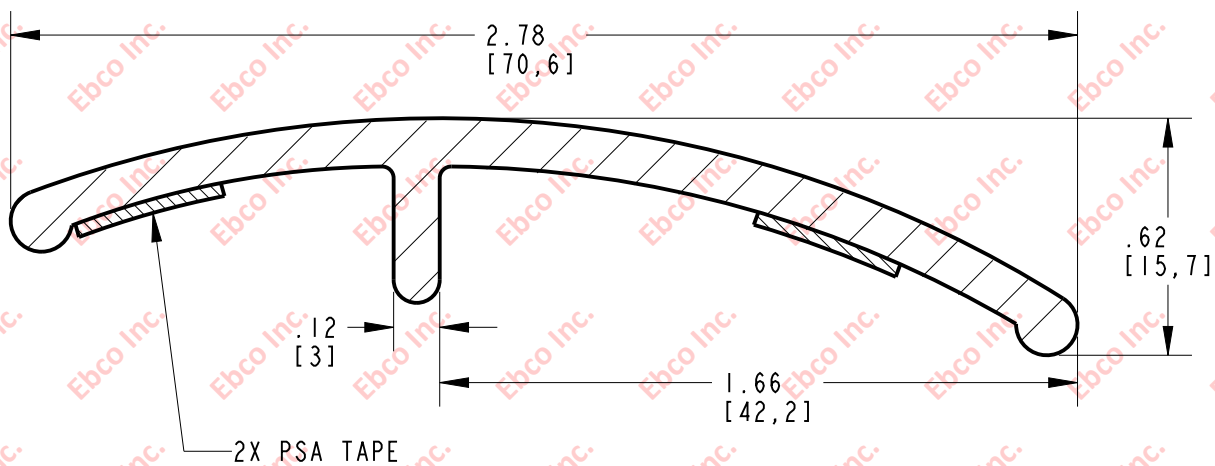


ER221


DWG. NO.

B

A



MATERIAL: DENSE EPDM

	TITLE: ER221	
	THE INFORMATION CONTAINED IN THIS DRAWING IS THE SOLE PROPERTY OF EBCO. ANY REPRODUCTION IN PART OR AS A WHOLE WITHOUT THE WRITTEN PERMISSION OF EBCO IS PROHIBITED.	
	TOLERANCES PER RMA STANDARD E3	REV. A
	DATE: 06-12-20	UNITS: INCH [MM]
1330 HOLMES RD. ELGIN, IL 60123		
SPECIFICATIONS SUBJECT TO CHANGE		

B

A