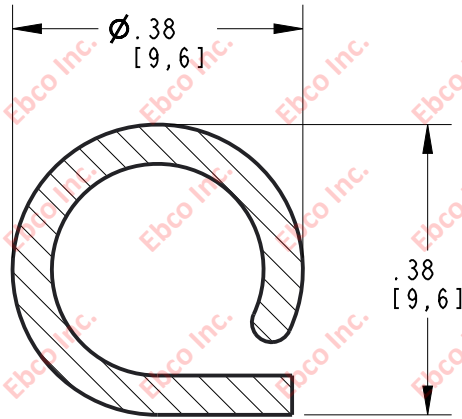


ER270

DWG. NO.



MATERIAL: DENSE EPDM

 <b>Ebco</b>	TITLE: ER270	
	THE INFORMATION CONTAINED IN THIS DRAWING IS THE SOLE PROPERTY OF EBCO ANY REPRODUCTION IN PART OR AS A WHOLE WITHOUT THE WRITTEN PERMISSION OF EBCO IS PROHIBITED.	
	TOLERANCES PER RMA STANDARD E3	REV. B
	DATE: 07-30-20	UNITS: INCH [MM]
1330 HOLMES RD. ELGIN, IL 60123		
SPECIFICATIONS SUBJECT TO CHANGE		