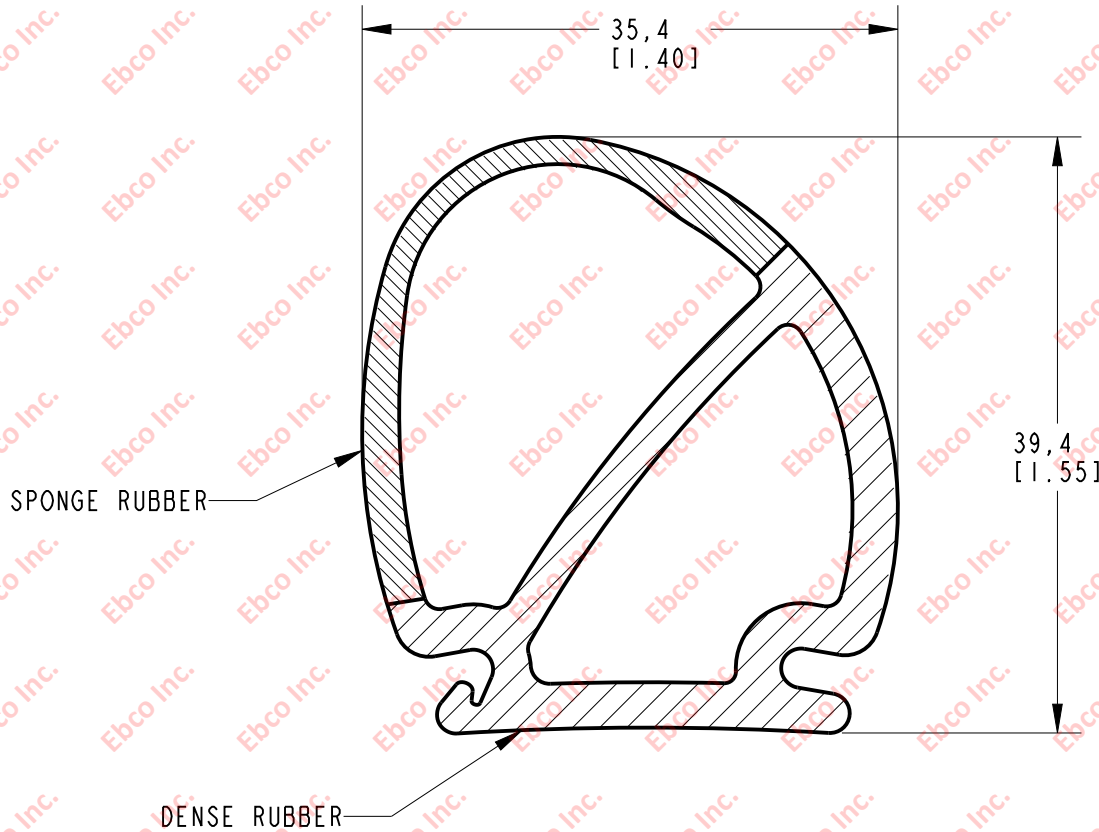


ERS190


DWG. NO.



SPONGE RUBBER

DENSE RUBBER

MATERIALS: DENSE AND SPONGE EPDM

	TITLE: ERS190	
	THE INFORMATION CONTAINED IN THIS DRAWING IS THE SOLE PROPERTY OF EBCO ANY REPRODUCTION IN PART OR AS A WHOLE WITHOUT THE WRITTEN PERMISSION OF EBCO IS PROHIBITED.	
	TOLERANCES PER RMA STANDARD BEC2	REV. A
	DATE: 10-21-22	UNITS: mm [INCH]
1330 HOLMES RD. ELGIN, IL 60123		
SPECIFICATIONS SUBJECT TO CHANGE		