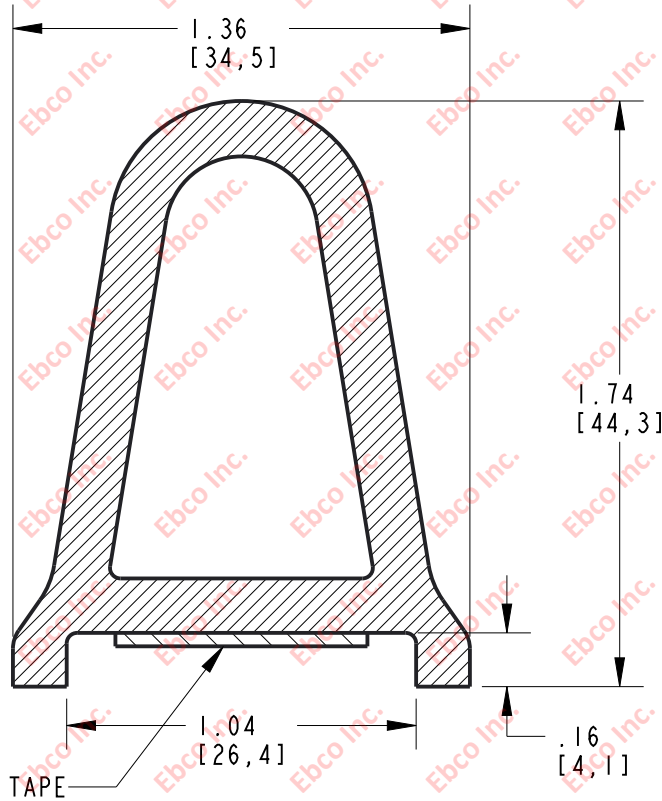


ES340

DWG. NO.



MATERIAL: SPONGE EPDM

	TITLE: ES340	
	THE INFORMATION CONTAINED IN THIS DRAWING IS THE SOLE PROPERTY OF EBCO ANY REPRODUCTION IN PART OR AS A WHOLE WITHOUT THE WRITTEN PERMISSION OF EBCO IS PROHIBITED.	
	TOLERANCES PER RMA STANDARD BEC2	REV. A
	DATE: 06-11-20	UNITS: INCH [MM]
1330 HOLMES RD. ELGIN, IL 60123		
SPECIFICATIONS SUBJECT TO CHANGE		