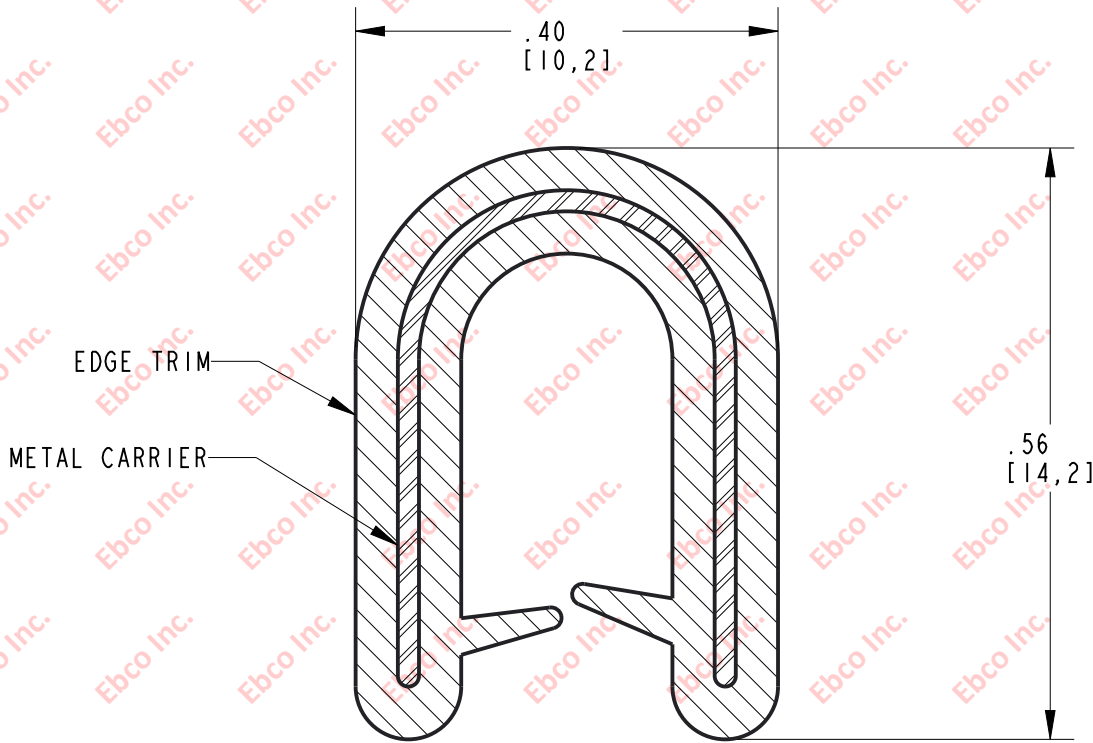



ET100

DWG. NO.



CLAMPING RANGE: .09 [2.27] - .16 [3.96]  
 EDGE TRIM: DENSE EPDM  
 METAL CARRIER: STEEL

	TITLE: ET100	
	<small>THE INFORMATION CONTAINED IN THIS DRAWING IS THE SOLE PROPERTY OF EBCO. ANY REPRODUCTION IN PART OR AS A WHOLE WITHOUT THE WRITTEN PERMISSION OF EBCO IS PROHIBITED.</small>	
	TOLERANCES PER RMA STANDARD E3	REV. <b>B</b> DATE: 06-02-17 UNITS: INCH [MM]
	1330 HOLMES RD. ELGIN, IL 60123	
SPECIFICATIONS SUBJECT TO CHANGE		