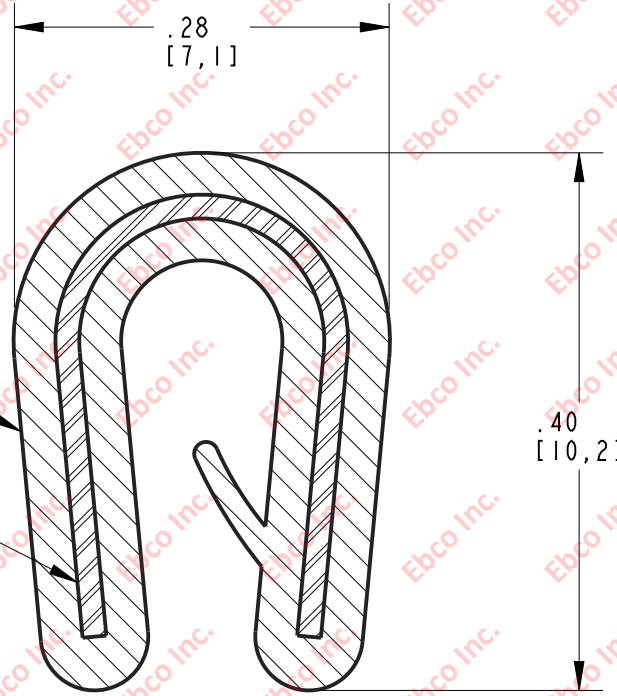


ET109

DWG. NO.

B

A



EDGE TRIM

METAL CARRIER

CLAMPING RANGE: .02 [.60] - .07 [1.85]
 EDGE TRIM: DENSE EPDM
 METAL CARRIER: STEEL



TITLE: ET109		
THE INFORMATION CONTAINED IN THIS DRAWING IS THE SOLE PROPERTY OF EBCO. ANY REPRODUCTION IN PART OR AS A WHOLE WITHOUT THE WRITTEN PERMISSION OF EBCO IS PROHIBITED.		
TOLERANCES PER RMA STANDARD E3	REV. A	DATE: 07-28-17
		UNITS INCH [MM]
1330 HOLMES RD. ELGIN, IL 60123		

SPECIFICATIONS SUBJECT TO CHANGE

2