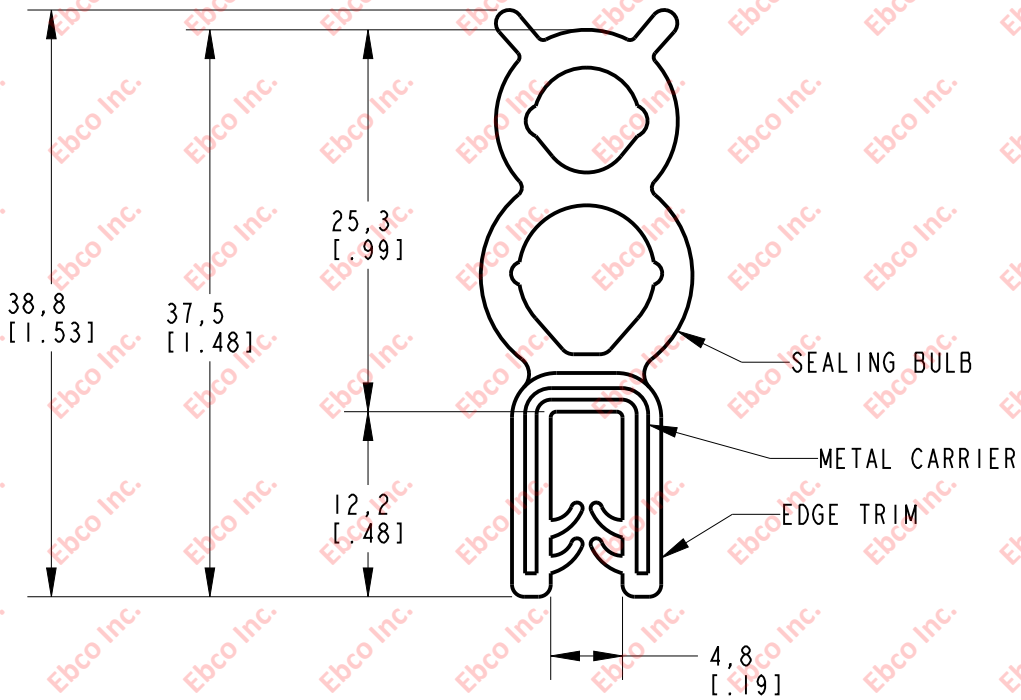



MC1201

DWG. NO.



CLAMPING RANGE: 0.85 [0.033] - 2.98 [0.117]  
 EDGE TRIM: DENSE EPDM  
 SEALING BULB: SPONGE EPDM  
 METAL CARRIER: STEEL

	TITLE: MC1201	
	<small>THE INFORMATION CONTAINED IN THIS DRAWING IS THE SOLE PROPERTY OF EBCO ANY REPRODUCTION IN PART OR AS A WHOLE WITHOUT THE WRITTEN PERMISSION OF EBCO IS PROHIBITED.</small>	
	TOLERANCES PER RMA STANDARD A3	REV. A
	DATE: 09-21-23	UNITS: mm [INCH]
1330 HOLMES RD. ELGIN, IL 60123		SPECIFICATIONS SUBJECT TO CHANGE