

MC5036

DWG. NO.

METAL CARRIER

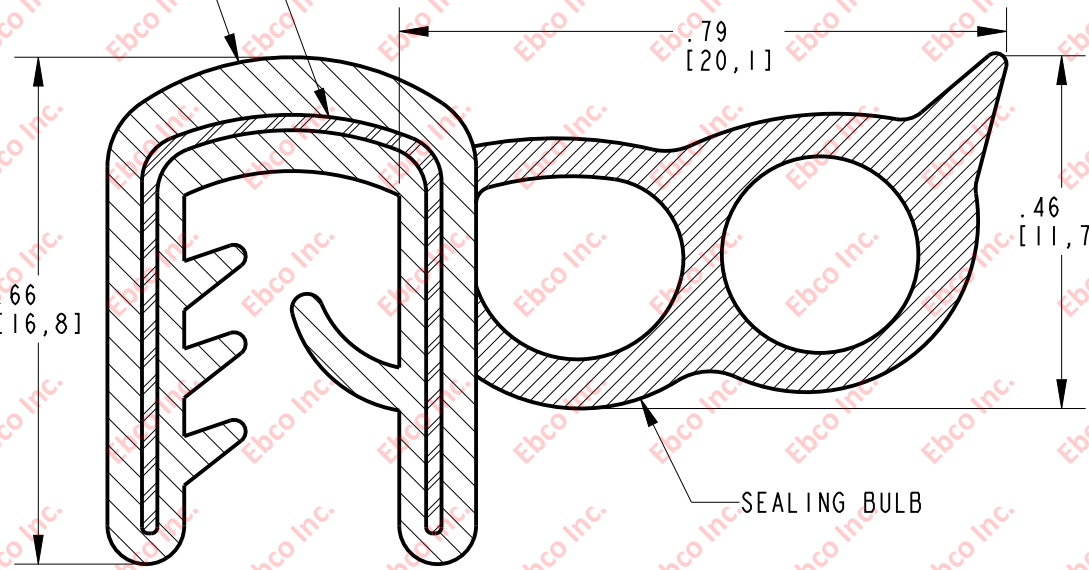
EDGE TRIM

.79
[20, 1]

.66
[16, 8]

.46
[11, 7]

SEALING BULB



EDGE TRIM: DENSE EPDM
 SEALING BULB: SPONGE EPDM
 METAL CARRIER: STEEL



TITLE: MC5036	
THE INFORMATION CONTAINED IN THIS DRAWING IS THE SOLE PROPERTY OF EBCO ANY REPRODUCTION IN PART OR AS A WHOLE WITHOUT THE WRITTEN PERMISSION OF EBCO IS PROHIBITED.	
TOLERANCES PER RMA STANDARD E3 & BEC2	REV. B
DATE: 07-13-20	UNITS: INCH [MM]

1330 HOLMES RD. ELGIN, IL 60123

SPECIFICATIONS SUBJECT TO CHANGE