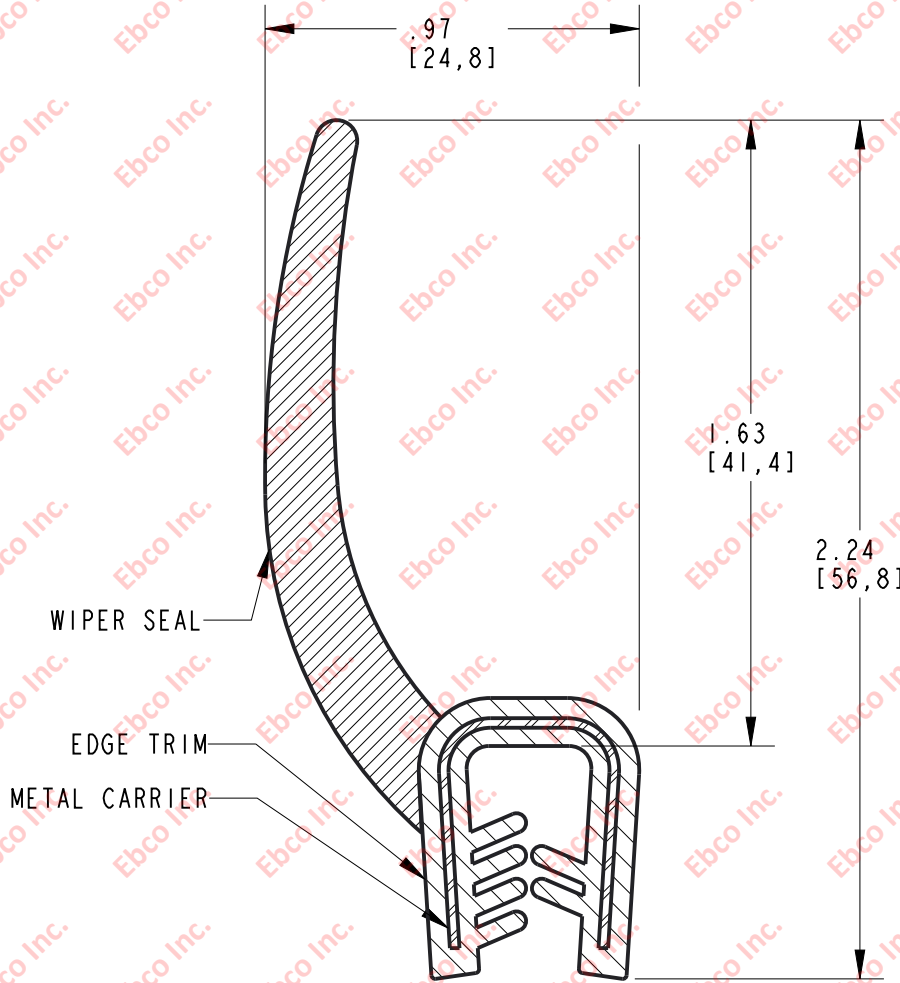


MC9010

DWG. NO.

B

A



CLAMPING RANGE: $.02$ [.60] - $.18$ [4.68]
 EDGE TRIM: DENSE EPDM
 WIPER SEAL: SPONGE EPDM
 METAL CARRIER: STEEL



TITLE: MC9010		
THE INFORMATION CONTAINED IN THIS DRAWING IS THE SOLE PROPERTY OF EBCO. ANY REPRODUCTION IN PART OR AS A WHOLE WITHOUT THE WRITTEN PERMISSION OF EBCO IS PROHIBITED.		
TOLERANCES PER RMA STANDARD E3 & BEC2	REV. B	DATE: 05-13-21
		UNITS: INCH [MM]

1330 HOLMES RD. ELGIN, IL 60123

SPECIFICATIONS SUBJECT TO CHANGE

2