

MC920

DWG. NO.

B

A

2

2

SEALING BULB

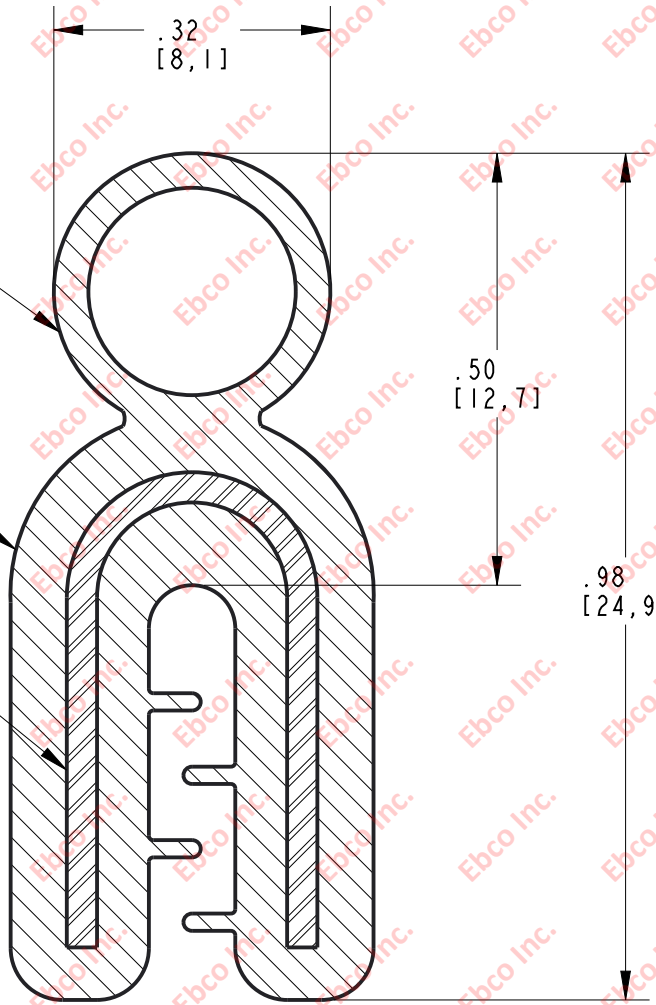
EDGE TRIM

METAL CARRIER

.32
[8, 11]

.50
[12, 7]

.98
[24, 9]



CLAMPING RANGE: .05 [1.17]
 EDGE TRIM: DENSE EPDM
 SEALING BULB: DENSE EPDM
 METAL CARRIER: STEEL



TITLE: MC920		
THE INFORMATION CONTAINED IN THIS DRAWING IS THE SOLE PROPERTY OF EBCO. ANY REPRODUCTION IN PART OR AS A WHOLE WITHOUT THE WRITTEN PERMISSION OF EBCO IS PROHIBITED.		
TOLERANCES PER RMA STANDARD E3	REV. A	DATE: 05-30-17 UNITS: INCH [MM]
1330 HOLMES RD. ELGIN, IL 60123		

SPECIFICATIONS SUBJECT TO CHANGE

B

A