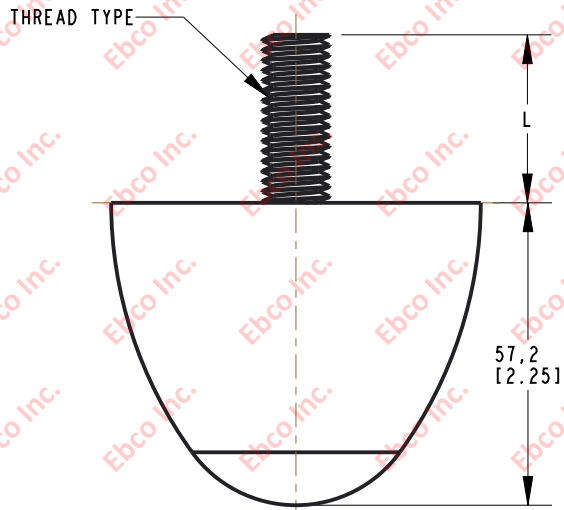
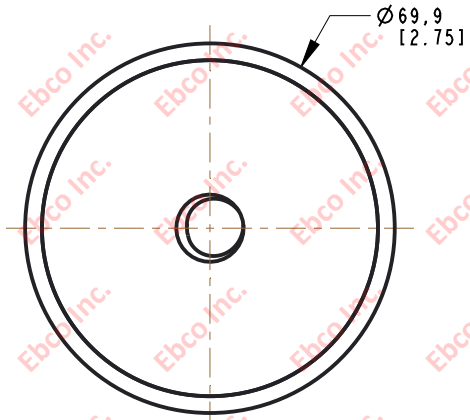


1065

DWG. NO.



HARDWARE SPECIFICATIONS

PART NO.	THREAD TYPE	L
1065-XX-J10	1/2-13	31.8 [1.25]

AXIAL COMPRESSION SPECIFICATIONS

PART NUMBER		MAX. RECOMMENDED STATIC LOAD		REFERENCE STIFFNESS	
NATURAL RUBBER	NEOPRENE	lb	N	lb/in	N/mm
1065-77-XX	1065-87-XX	220	979	880	154
1065-78-XX	1065-88-XX	265	1179	1060	186



TITLE:	1065
THE INFORMATION CONTAINED IN THIS DRAWING IS THE SOLE PROPERTY OF EBCO. ANY REPRODUCTION IN PART OR AS A WHOLE WITHOUT THE WRITTEN PERMISSION OF EBCO IS PROHIBITED.	
TOLERANCES PER RMA STANDARD	REV. <b>B</b>
A3	DATE: 06-14-21
	UNITS: mm [INCH]
1330 HOLMES RD. ELGIN, IL 60123	

SPECIFICATIONS SUBJECT TO CHANGE