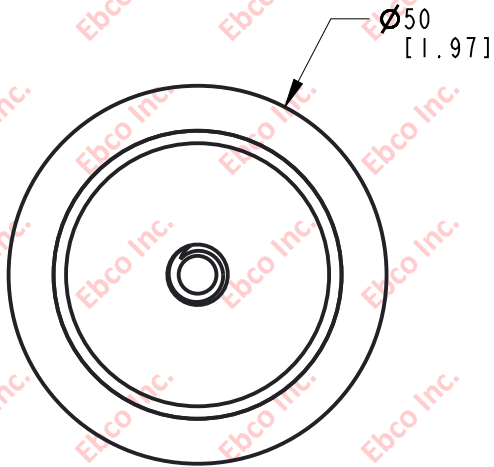


1150

DRG. NO.

B

A



M8X1.25-6g



TITLE: 1150	
THE INFORMATION CONTAINED IN THIS DRAWING IS THE SOLE PROPERTY OF EBSCO. ANY REPRODUCTION IN PART OR AS A WHOLE WITHOUT THE WRITTEN PERMISSION OF EBSCO IS PROHIBITED.	
TOLERANCES PER RMA STANDARD A3	REV. A
DATE: 06-15-21	UNITS: mm [INCH]
1330 HOLMES RD. ELGIN, IL 60123	

*AVAILABLE IN A VARIETY OF MATERIALS AND STIFFNESS

SPECIFICATIONS SUBJECT TO CHANGE

2