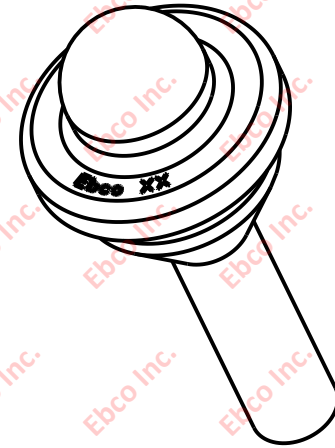
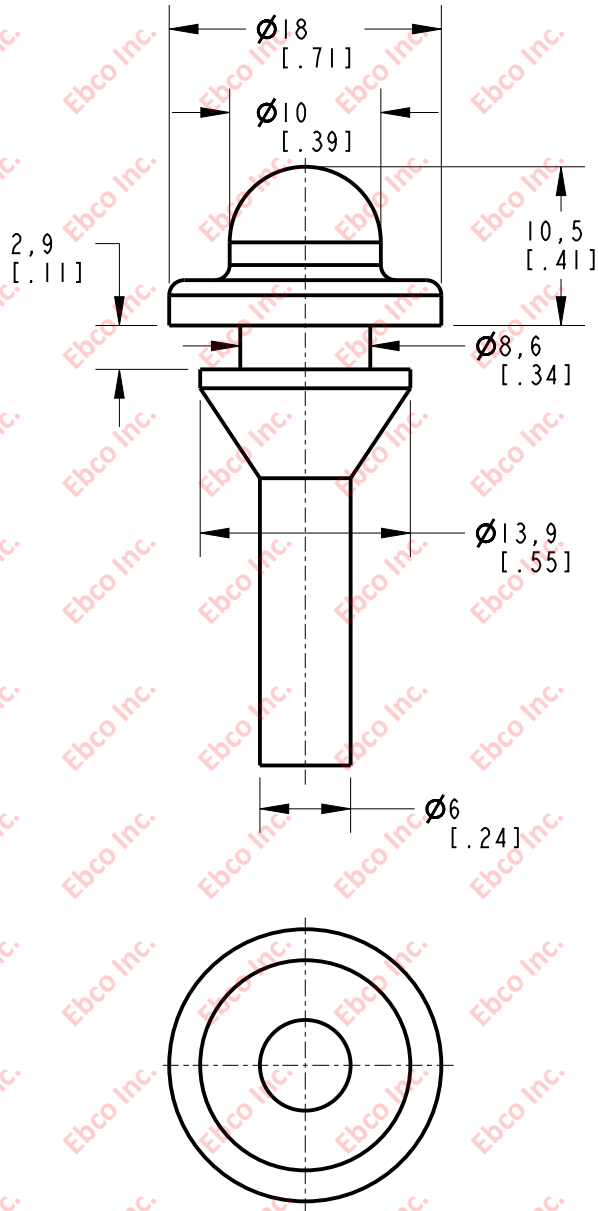



1320

DWG. NO.



*AVAILABLE IN A VARIETY OF MATERIALS AND STIFFNESS

| | | |
|---|--|--------------------|
|  | TITLE: 1320 | |
| | <small>THE INFORMATION CONTAINED IN THIS DRAWING IS THE SOLE PROPERTY OF EBCO ANY REPRODUCTION IN PART OR AS A WHOLE WITHOUT THE WRITTEN PERMISSION OF EBCO IS PROHIBITED.</small> | |
| | TOLERANCES PER RMA STANDARD A3 | REV. A |
| | DATE: 12-28-22 | UNITS: mm [INCH] |
| 1330 HOLMES RD. ELGIN, IL 60123 | | |
| SPECIFICATIONS SUBJECT TO CHANGE | | |