

1841

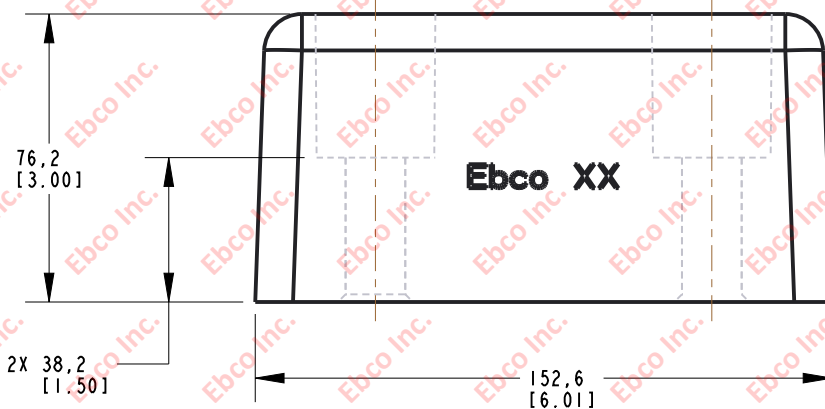
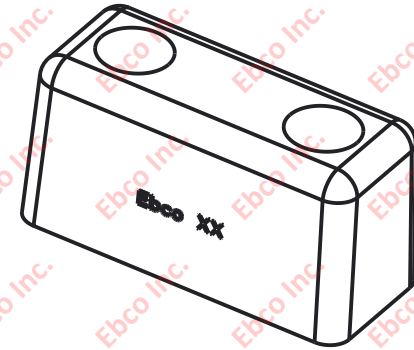
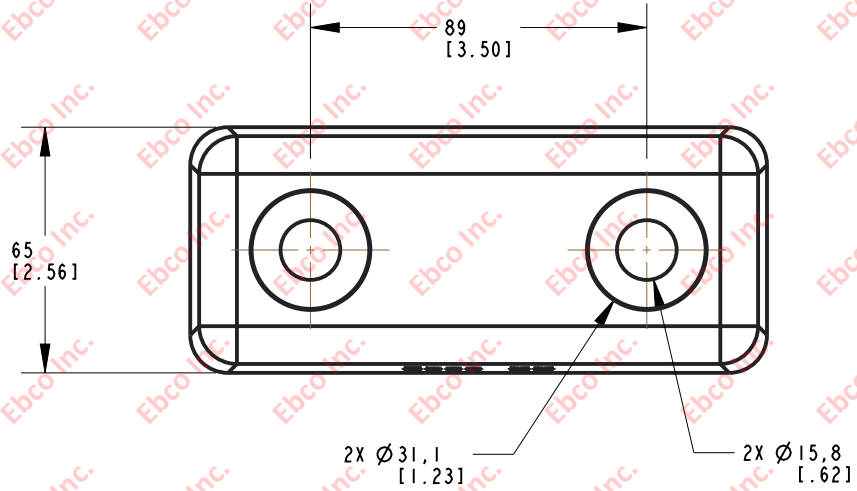
DWG. NO.

B

A

B

A



\*AVAILABLE IN A VARIETY OF MATERIALS AND STIFFNESS

2

	TITLE: 1841	
	<small>THE INFORMATION CONTAINED IN THIS DRAWING IS THE SOLE PROPERTY OF EBSCO ANY REPRODUCTION IN PART OR AS A WHOLE WITHOUT THE WRITTEN PERMISSION OF EBSCO IS PROHIBITED.</small>	
	TOLERANCES PER RMA STANDARD A3	REV. D
	DATE: 06-15-21	UNITS: mm [INCH]
1330 HOLMES RD. ELGIN, IL 60123		
SPECIFICATIONS SUBJECT TO CHANGE		