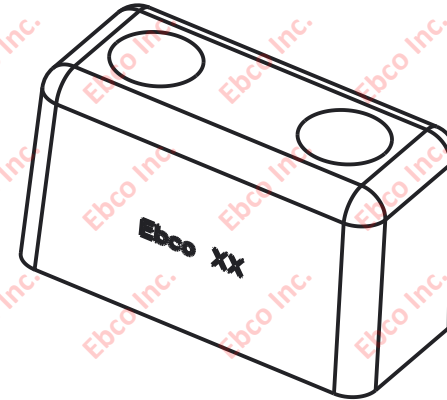
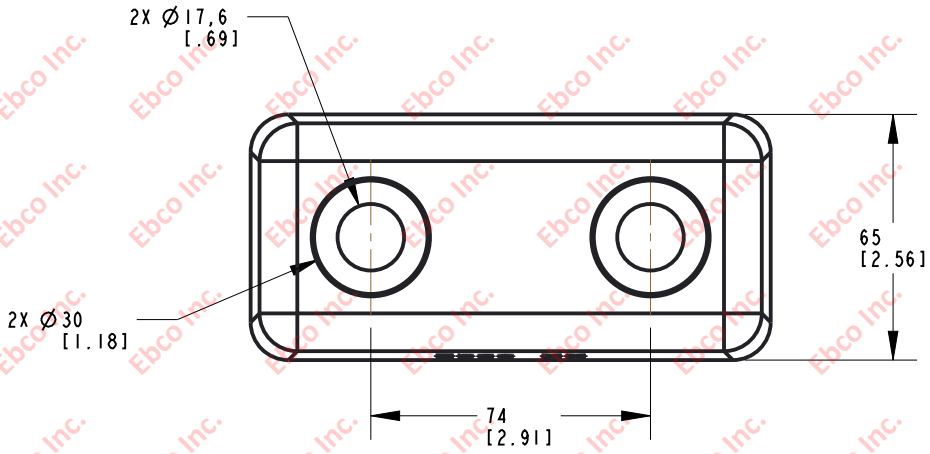


1842

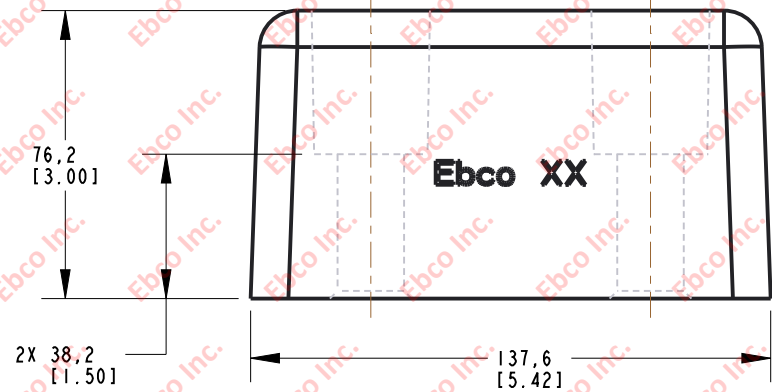
DWG. NO.

B



SCALE 0.400

A



B

A

• AVAILABLE IN A VARIETY OF MATERIALS AND STIFFNESS

2



TITLE: 1842	
THE INFORMATION CONTAINED IN THIS DRAWING IS THE SOLE PROPERTY OF EBSCO ANY REPRODUCTION IN PART OR AS A WHOLE WITHOUT THE WRITTEN PERMISSION OF EBSCO IS PROHIBITED.	
TOLERANCES PER RMA STANDARD A3	REV. B
DATE: 06-15-21	UNITS: mm [INCH]
1330 HOLMES RD. ELGIN, IL 60123	

SPECIFICATIONS SUBJECT TO CHANGE