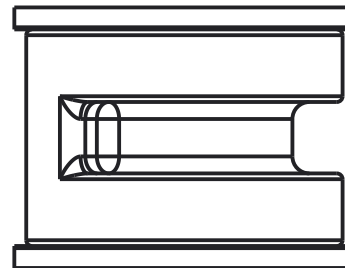
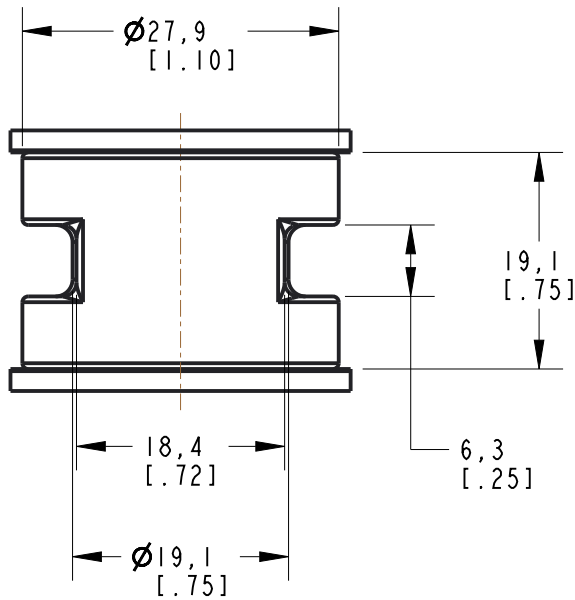
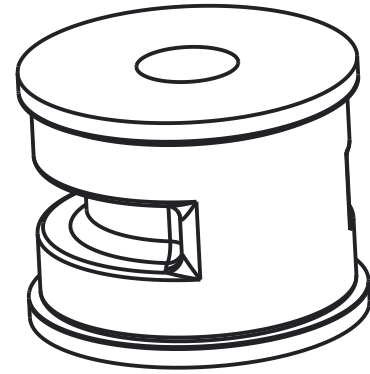
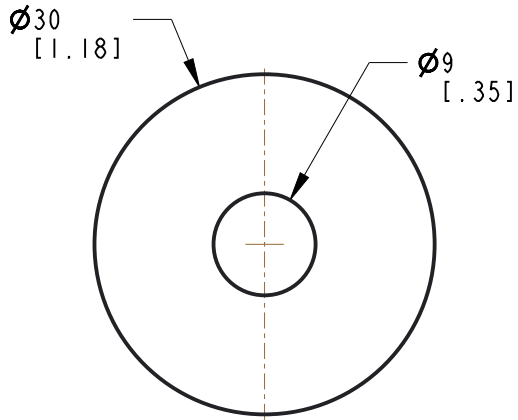


2070

DWG. NO.



TITLE: 2070	
THE INFORMATION CONTAINED IN THIS DRAWING IS THE SOLE PROPERTY OF EBCO ANY REPRODUCTION IN PART OR AS A WHOLE WITHOUT THE WRITTEN PERMISSION OF EBCO IS PROHIBITED.	
TOLERANCES PER RMA STANDARD A3	REV. A
DATE: 11-23-22	UNITS: mm [INCH]
1330 HOLMES RD. ELGIN, IL 60123	

*AVAILABLE IN A VARIETY OF MATERIALS AND STIFFNESS

SPECIFICATIONS SUBJECT TO CHANGE