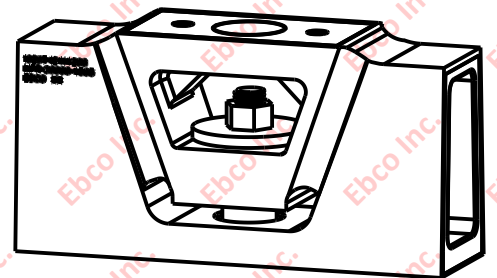
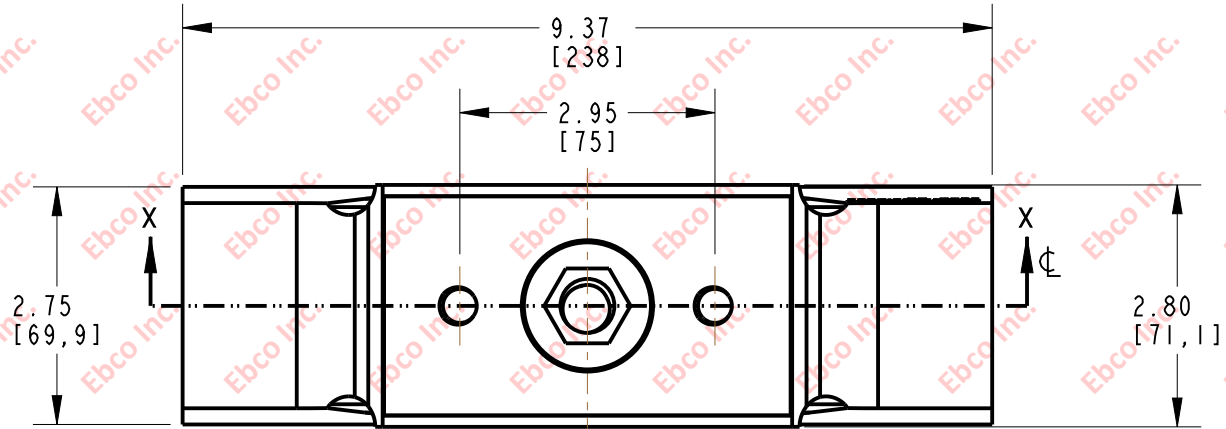
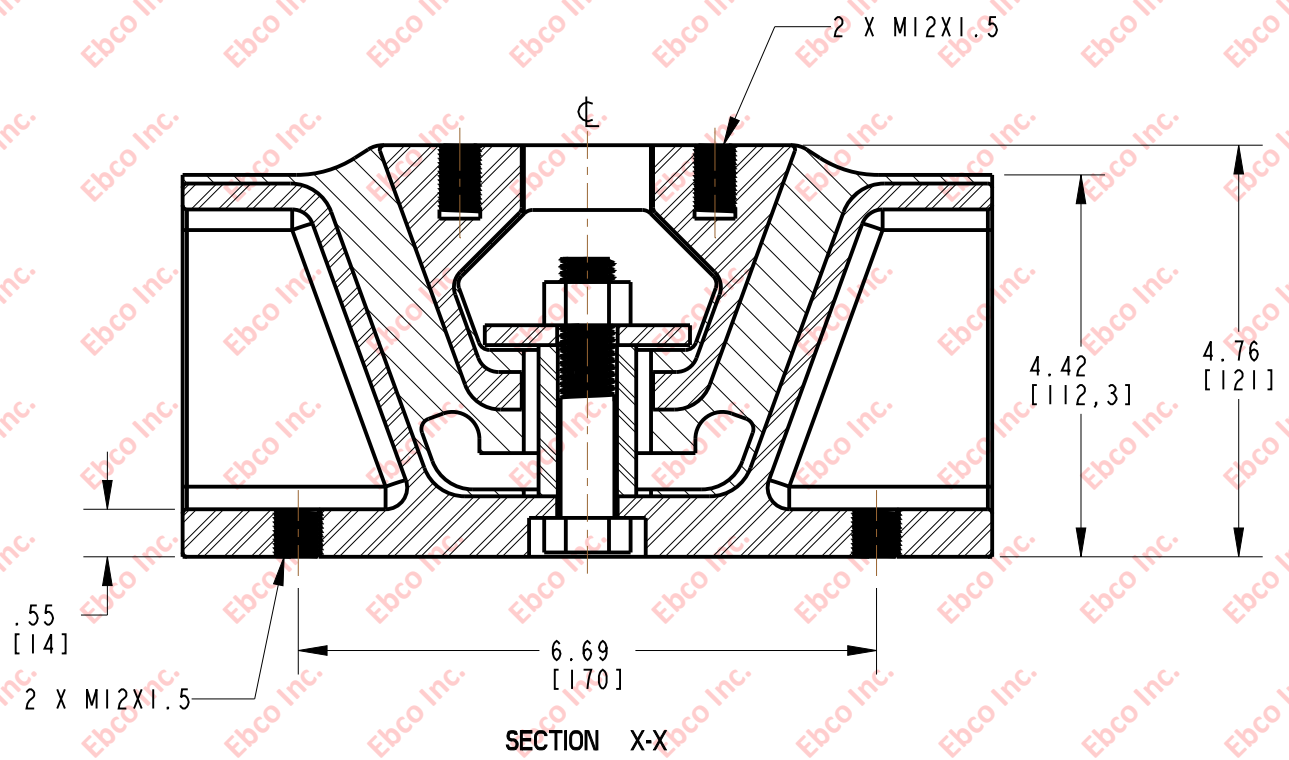


4595



SCALE 0.250



SECTION X-X

SPECIFICATIONS

PART NUMBER	MAX. AXIAL DEFLECTION		MAX. AXIAL LOAD	
	in	mm	lb	N
NEOPRENE				
4595-86	0.25	6.35	1667	7415



TITLE:	4595		
THE INFORMATION CONTAINED IN THIS DRAWING IS THE SOLE PROPERTY OF EBCO ANY REPRODUCTION IN PART OR AS A WHOLE WITHOUT THE WRITER PERMISSION OF EBCO IS PROHIBITED.			
TOLERANCES PER RMA STANDARD	REV. A	DATE:	07-29-19
A3		UNITS:	INCH [MM]
1330 HOLMES RD. ELGIN, IL 60123			

SPECIFICATIONS SUBJECT TO CHANGE