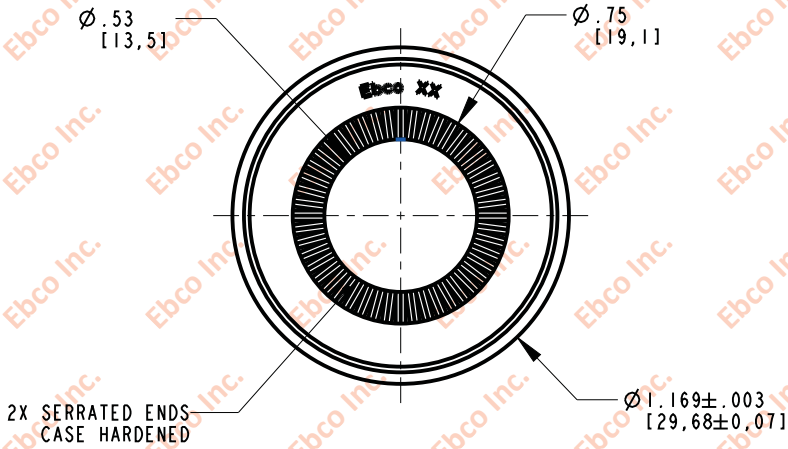
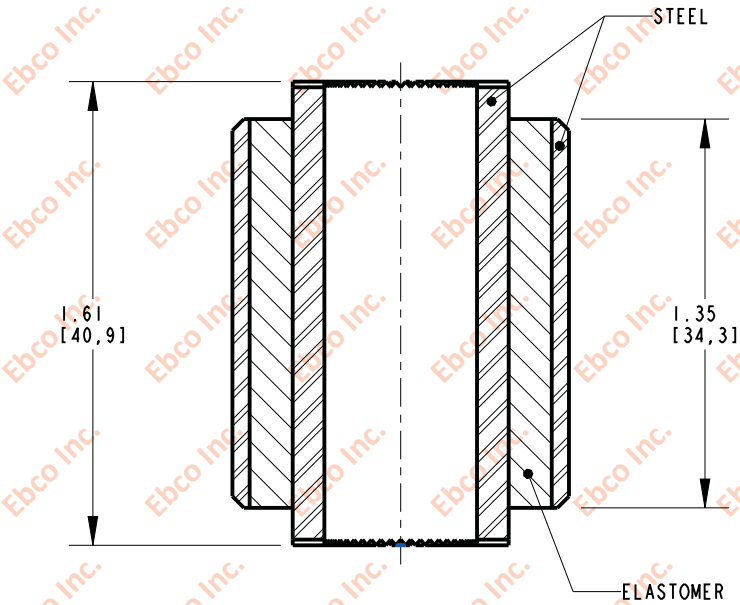


5135



SCALE 1.000



SPECIFICATIONS

| PART NUMBER | | DUROMETER ±5 | TORSIONAL STIFFNESS REF | |
|----------------|----------|-----------------|----------------------------|---------|
| NATURAL RUBBER | NEOPRENE | SHORE A | lb-in/DEG | N-m/DEG |
| 5135-75 | 5135-85 | 60 | 13.2 | 1.49 |
| 5135-76 | 5135-86 | 65 | 17.2 | 1.94 |
| 5135-77 | 5135-87 | 70 | 21.6 | 2.44 |



| | |
|---|------------------|
| TITLE: 5135 | |
| THE INFORMATION CONTAINED IN THIS DRAWING IS THE SOLE PROPERTY OF EBCO ANY REPRODUCTION IN PART OR AS A WHOLE WITHOUT THE WRITTEN PERMISSION OF EBCO IS PROHIBITED. | |
| TOLERANCES PER RMA STANDARD A3 | REV. B |
| DATE: 09-10-18 | UNITS: INCH [MM] |

1330 HOLMES RD. ELGIN, IL 60123

SPECIFICATIONS SUBJECT TO CHANGE