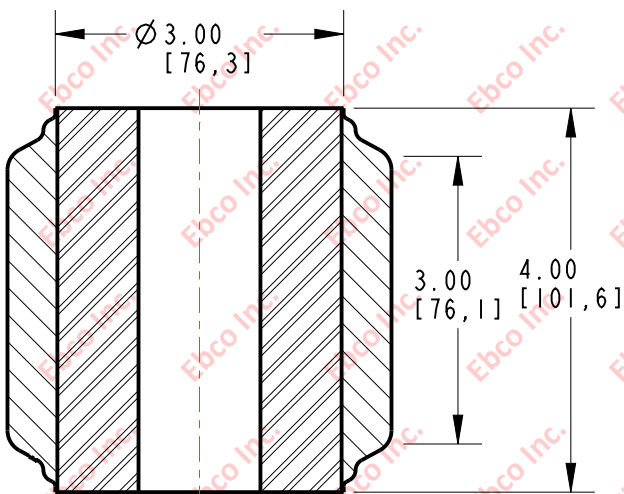
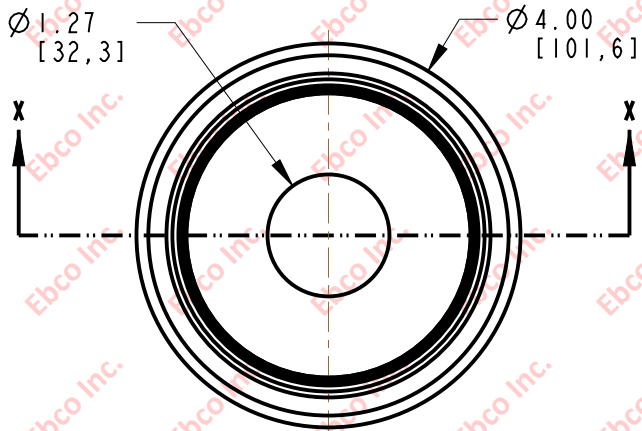
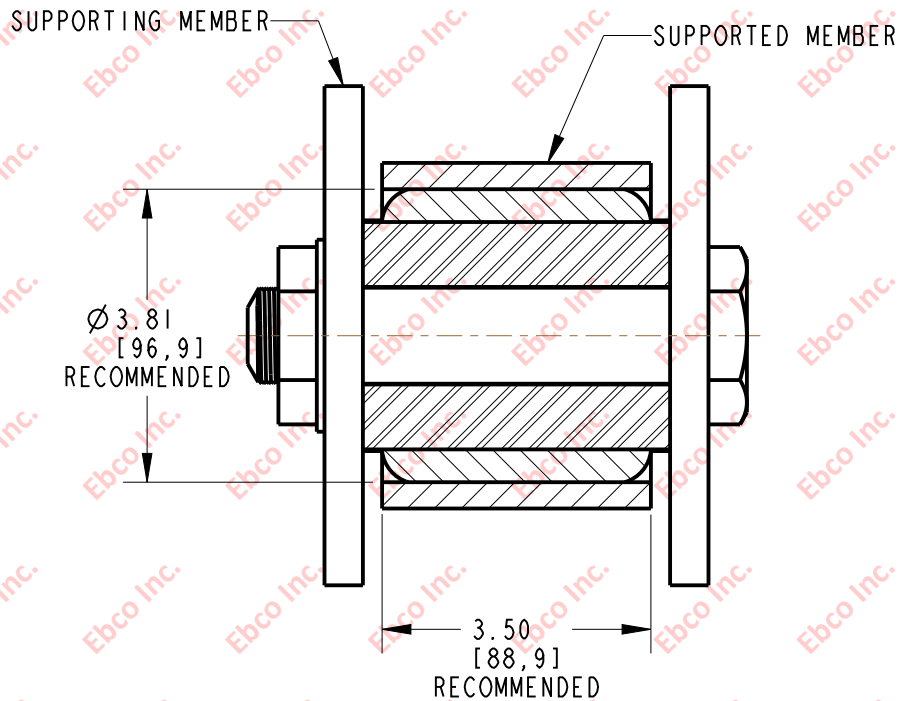


5295




SECTION X-X

INSTALLATION VIEW (Shown under no load)



\*AVAILABLE IN A VARIETY OF MATERIALS AND STIFFNESS

 <b>Ebco</b>	TITLE: 5295	
	<small>THE INFORMATION CONTAINED IN THIS DRAWING IS THE SOLE PROPERTY OF EBCO ANY REPRODUCTION IN PART OR AS A WHOLE WITHOUT THE WRITTEN PERMISSION OF EBCO IS PROHIBITED.</small>	
	TOLERANCES PER RMA STANDARD A3	REV. <b>A</b>
	DATE: 06-22-20	UNITS: INCH [MM]
1330 HOLMES RD. ELGIN, IL 60123		
SPECIFICATIONS SUBJECT TO CHANGE		