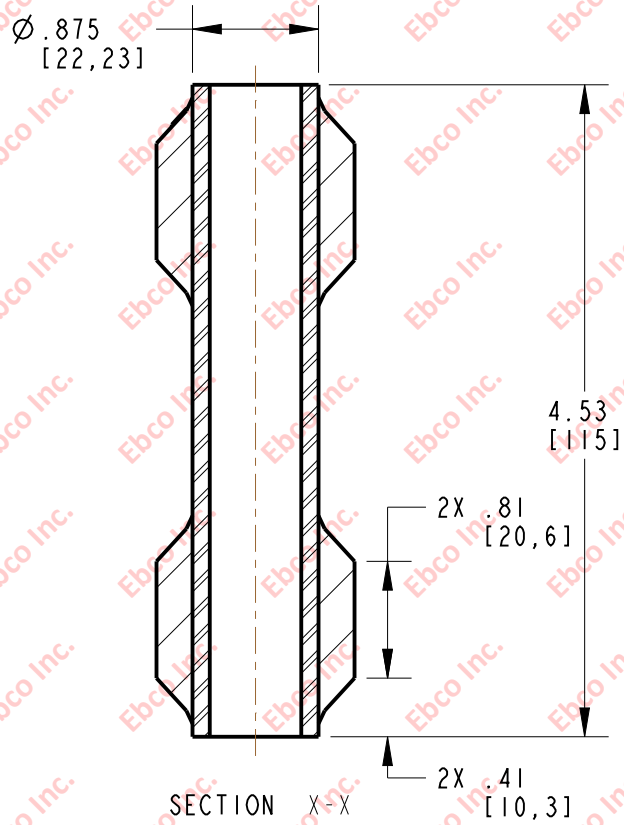
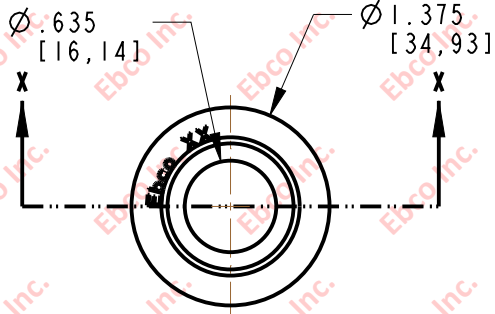
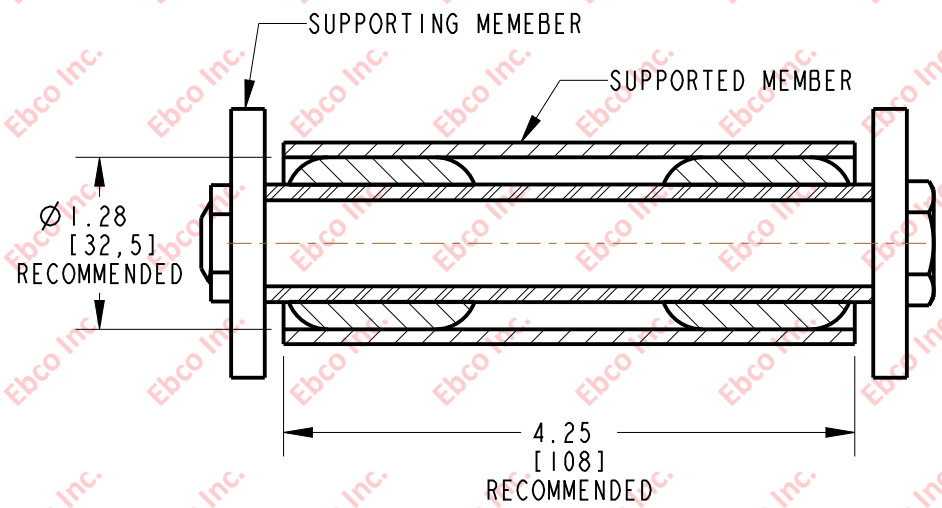


5400



SECTION X-X

INSTALLATION VIEW (Shown under no load)



TITLE: 5400	
THE INFORMATION CONTAINED IN THIS DRAWING IS THE SOLE PROPERTY OF EBCO ANY REPRODUCTION IN PART OR AS A WHOLE WITHOUT THE WRITTEN PERMISSION OF EBCO IS PROHIBITED.	
TOLERANCES PER RMA STANDARD A3	REV. B
DATE: 06-22-20	UNITS: INCH [MM]
1330 HOLMES RD. ELGIN, IL 60123	
SPECIFICATIONS SUBJECT TO CHANGE	

*AVAILABLE IN A VARIETY OF MATERIALS AND STIFFNESS