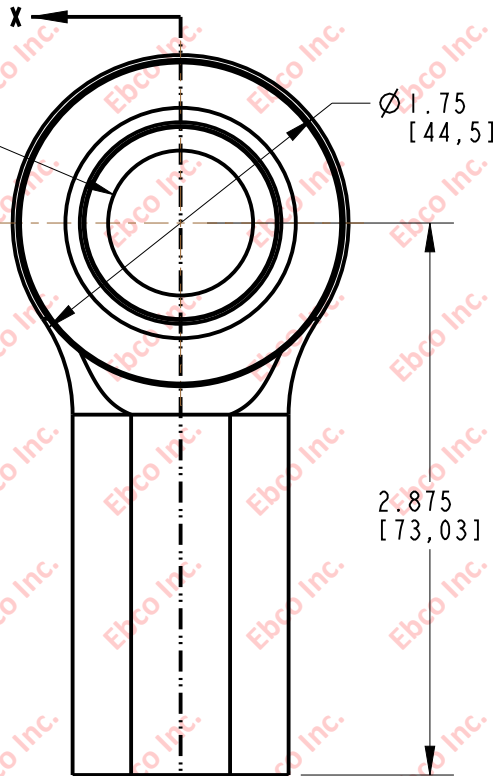


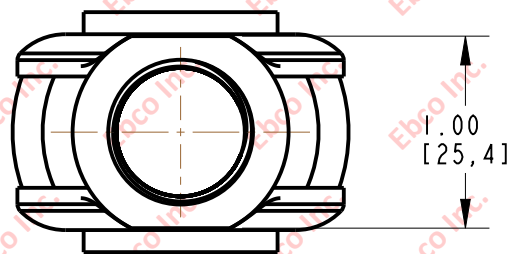
5702

Ø .755  
[19,18]

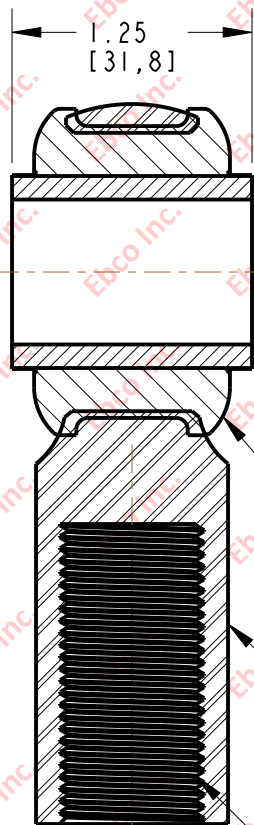


2.875  
[73,03]

Ø 1.125  
[28,58]



1.00  
[25,4]



1.25  
[31,8]

PLASTIC

ELASTOMER

STEEL

SECTION X-X

3/4-16  
1.56 [39.6] THREAD DEPTH



SCALE 0.500

SPECIFICATIONS

PART NUMBER		DUROMETER (SHORE A)
NATURAL RUBBER	NEOPRENE	
5702-79	5702-89	80



TITLE: 5702		
THE INFORMATION CONTAINED IN THIS DRAWING IS THE SOLE PROPERTY OF EBCO ANY REPRODUCTION IN PART OR AS A WHOLE WITHOUT THE WRITTEN PERMISSION OF EBCO IS PROHIBITED.		
TOLERANCES PER RMA STANDARD A3	REV. B	DATE: 08-26-20
		UNITS: INCH [MM]

1330 HOLMES RD. ELGIN, IL 60123

SPECIFICATIONS SUBJECT TO CHANGE