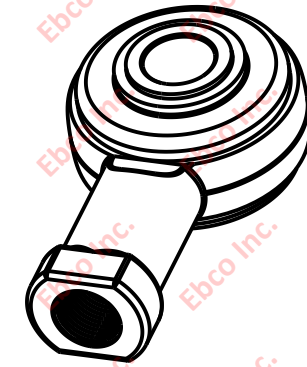
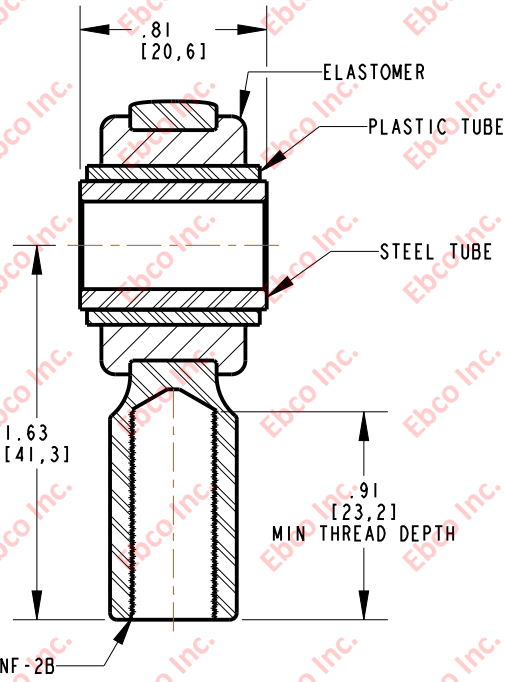
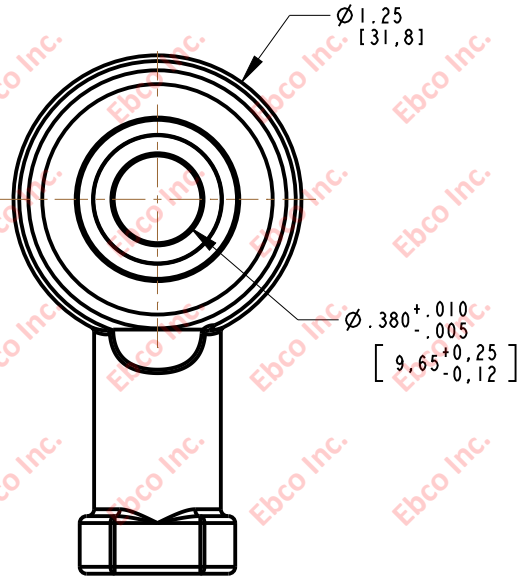
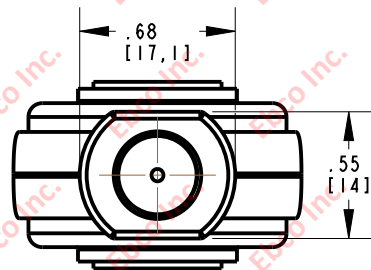


5705



SCALE 1.000



SPECIFICATIONS

PART NO.		DUROMETER (SHORE A)
NATURAL RUBBER	NEOPRENE	
5705-74	5705-84	55
5705-79	5705-89	80



TITLE: 5705		
THE INFORMATION CONTAINED IN THIS DRAWING IS THE SOLE PROPERTY OF EBCO ANY REPRODUCTION IN PART OR AS A WHOLE WITHOUT THE WRITTEN PERMISSION OF EBCO IS PROHIBITED.		
TOLERANCES PER RMA STANDARD A3	REV. B	DATE: 01-06-14
		UNITS INCH [MM]
1330 HOLMES RD. ELGIN, IL 60123		

SPECIFICATIONS SUBJECT TO CHANGE