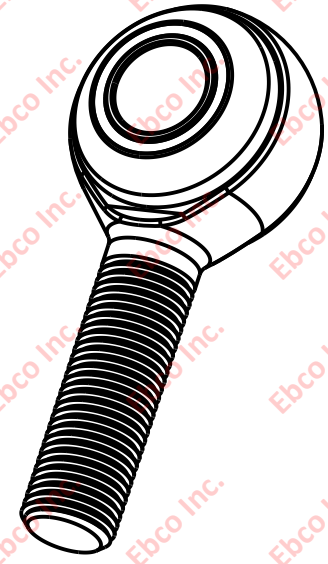
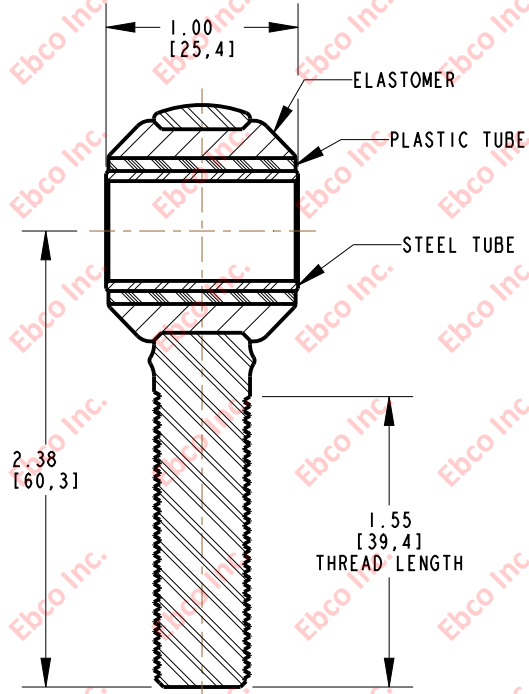
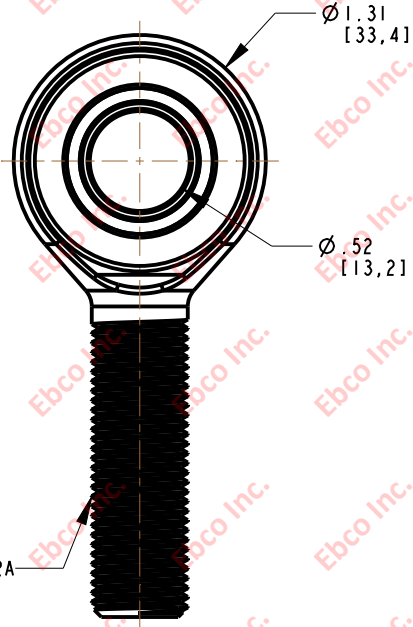


5800

IMP. NO.



SCALE 1.000

SPECIFICATIONS

PART NO.		DUROMETER (SHORE A)
NATURAL RUBBER	NEOPRENE	
5800-78	5800-88	75



TITLE:	5800	
THE INFORMATION CONTAINED IN THIS DRAWING IS THE SOLE PROPERTY OF EBCO. ANY REPRODUCTION IN PART OR AS A WHOLE WITHOUT THE WRITTEN PERMISSION OF EBCO IS PROHIBITED.		
TOLERANCES PER RMA STANDARD A3	REV. <b>A</b>	DATE: 01-06-14
		UNITS INCH [MM]
1330 HOLMES RD. ELGIN, IL 60123		

SPECIFICATIONS SUBJECT TO CHANGE