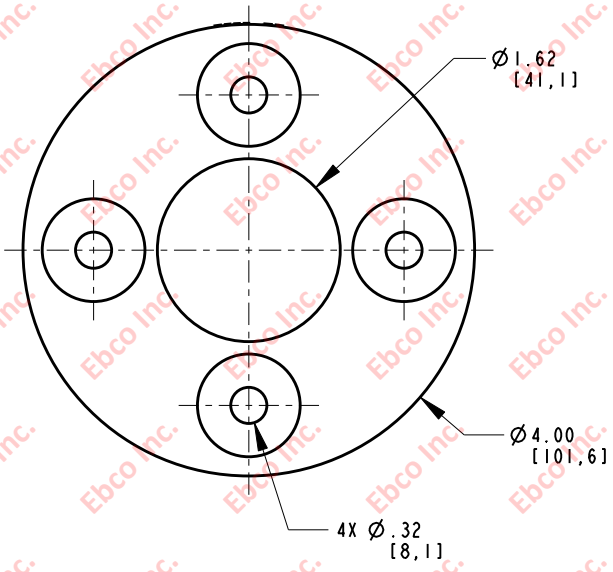
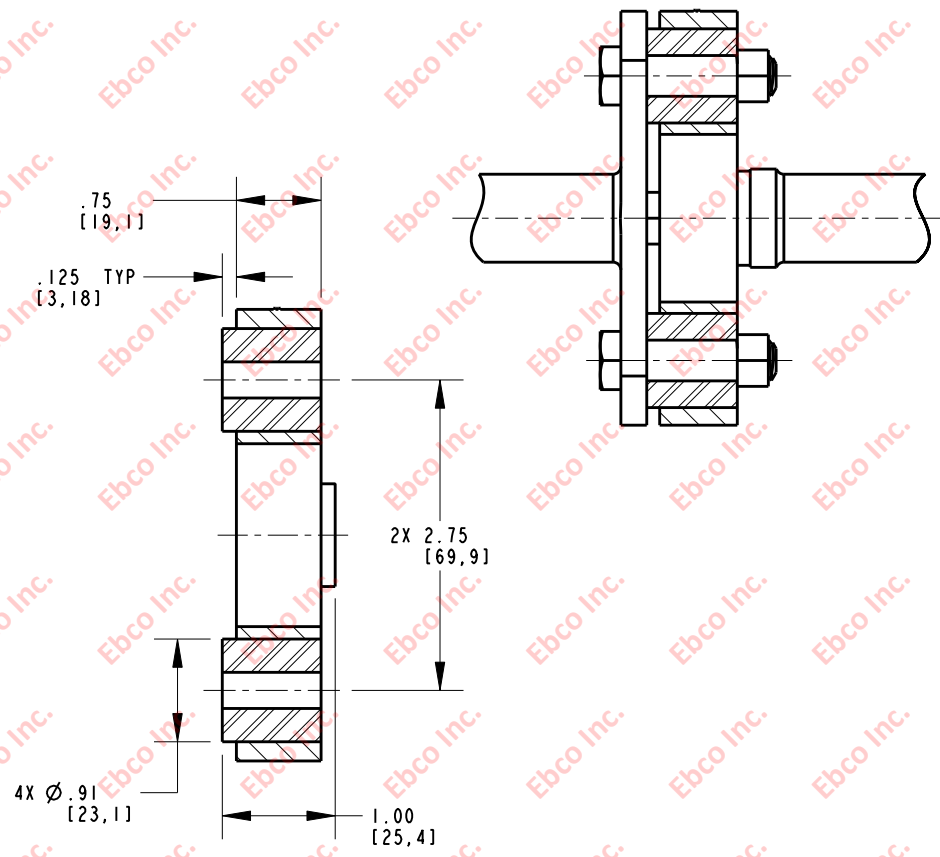


6110

DWG. NO.



INSTALLATION VIEW (Shown under no load)



*AVAILABLE IN A VARIETY OF MATERIALS AND STIFFNESS



| | |
|--|------------------|
| TITLE: 6110 | |
| THE INFORMATION CONTAINED IN THIS DRAWING IS THE SOLE PROPERTY OF EBCO. ANY REPRODUCTION IN PART OR AS A WHOLE WITHOUT THE WRITTEN PERMISSION OF EBCO IS PROHIBITED. | |
| TOLERANCES PER RMA STANDARD A3 | REV. A |
| DATE: 10-14-11 | UNITS: INCH [MM] |
| 1330 HOLMES RD. ELGIN, IL 60123 | |